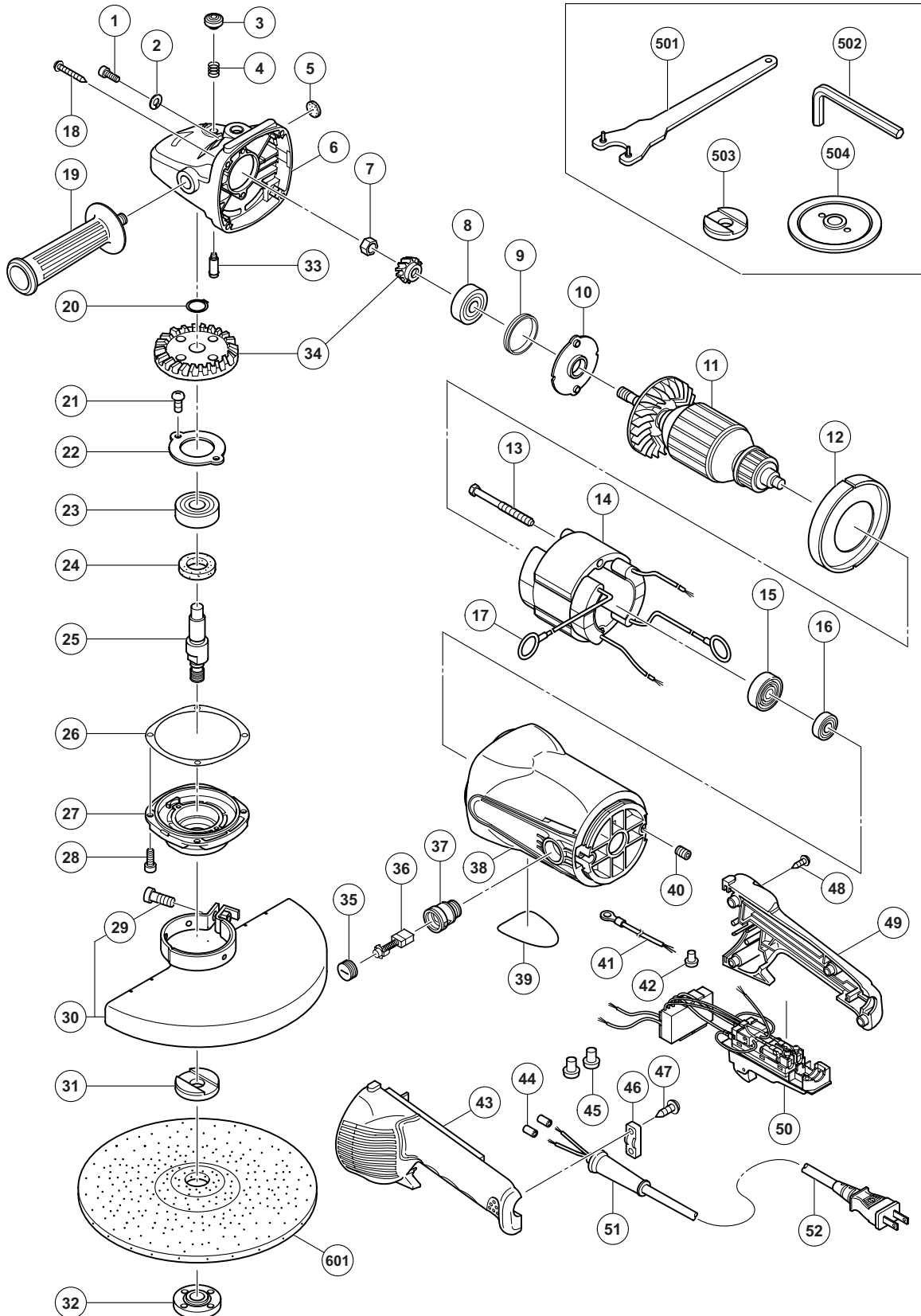


ELECTRIC TOOL PARTS LIST

DISC GRINDER
Model G 23SWU

2012·12·18
(E1)



PARTS

G 23SWU

ITEM NO.	CODE NO.	DESCRIPTION	NO. USED	REMARKS
1	984-509	SEAL LOCK HEX. SOCKET HD. BOLT M5 X 14	2	
2	949-454	SPRING WASHER M5 (10 PCS.)	2	
3	306-888	PUSHING BUTTON	1	
4	320-219	SPRING	1	
5	937-033	FELT WASHER	1	
6	330-080	GEAR COVER ASS'Y	1	INCLUD. 3-5, 33
7	320-226	SPECIAL NUT M10	1	
8	630-1VV	BALL BEARING 6301VVCMP2L	1	
9	330-031	RUBBER RING	1	
10	330-030	BEARING COVER	1	
11	360-959E	ARMATURE 220 V-230 V	1	
12	330-081	FAN GUIDE	1	
13	961-501	HEX. HD. TAPPING SCREW D5 X 60	2	
14	340-844E	STATOR ASS'Y 220 V-230 V	1	INCLUD. 17
15	330-029	DUST SEAL	1	
16	600-0VV	BALL BEARING 6000VVCMP2L	1	
17	937-623	BRUSH TERMINAL	2	
18	323-209	TAPPING SCREW (W/FLANGE) D5 X 35 (BLACK)	4	
* 19	937-981	SIDE HANDLE FOR M14	1	
* 19	322-411	SIDE HANDLE	1	FOR VIBRATION-ABSORBING
20	939-542	RETAINING RING FOR D12 SHAFT (10 PCS.)	1	
21	949-236	MACHINE SCREW M5 X 10 (10 PCS.)	2	
22	320-229	BEARING COVER (B)	1	
23	630-2VV	BALL BEARING 6302VVCMP2L	1	
24	990-852	FELT PACKING (B)	1	
25	320-234	SPINDLE	1	
26	320-228	SEAL PLATE	1	
27	320-227	PACKING GLAND	1	
28	994-192	HEX. SOCKET HD. BOLT (W/FLANGE) M5 X 16	4	
29	949-760	HEX. SOCKET HD. BOLT M8 X 25 (10 PCS.)	1	
30	330-036	WHEEL GUARD ASS'Y	1	INCLUD. 29
* 31	937-907Z	WHEEL WASHER (C)	1	
* 31	937-908Z	WHEEL WASHER (B)	1	FOR NZL
32	937-909Z	WHEEL NUT M14 X 2	1	
33	306-890	LOCK PIN	1	
34	330-688	GEAR AND PINION SET	1	
35	945-161	BRUSH CAP	2	
36	999-038	CARBON BRUSH (1 PAIR)	2	
37	938-241	BRUSH HOLDER	2	
38	330-028	HOUSING ASS'Y	1	INCLUD. 37, 40
39		NAME PLATE	1	
40	938-477	HEX. SOCKET SET SCREW M5 X 8	2	
41	330-216	INTERNAL WIRE 270L	1	
42	959-140	CONNECTOR 50091 (10 PCS.)	1	
43	330-033	HANDLE (A)	1	
44	981-373	TUBE (D)	2	
45	959-141	CONNECTOR 50092 (10 PCS.)	2	
46	960-266	CORD CLIP	1	
47	984-750	TAPPING SCREW (W/FLANGE) D4 X 16	2	
48	305-812	TAPPING SCREW (W/FLANGE) D4 X 16 (BLACK)	4	

PARTS

G 23SWU

ITEM NO.	CODE NO.	DESCRIPTION	NO. USED	REMARKS	
49	330-034	HANDLE (B)	1		
50	335-122	CONTROLLER SWITCH 250 V	1		
* 51	958-049	CORD ARMOR D8.2	1		
* 51	940-778	CORD ARMOR D10.7	1		
* 52	500-247Z	CORD	1	(CORD ARMOR D10.7)	
* 52	500-450Z	CORD	1	(CORD ARMOR D10.7) FOR GBR	
* 52	500-248Z	CORD	1	(CORD ARMOR D10.7) FOR SUI	
* 52	500-439Z	CORD	1	(CORD ARMOR D8.2) FOR NZL	

STANDARD ACCESSORIES

G 23SWU

ITEM NO.	CODE NO.	DESCRIPTION	NO. USED	REMARKS	
501	325-491	WRENCH	1		
502	872-422	HEX. BAR WRENCH 6 MM	1		
* 503	937-907Z	WHEEL WASHER (C)	1	FOR NZL	
* 504	937-917Z	WHEEL NUT (B)	1	FOR NZL	

OPTIONAL ACCESSORIES

ITEM NO.	CODE NO.	DESCRIPTION	NO. USED	REMARKS	
601	316-825	D. C. WHEELS 230 MM A24R (25 PCS.)	1		
602	323-993	PIPE HANDLE SET	1	INCLUD. 603	
603	985-597	BOLT M14	2		
604	310-337	SUPER WASHER	1		
605	332-797	WHEEL GUARD (FOR CUTTING)	1		